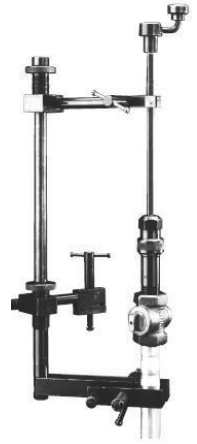




Mueller Gas Products

Distributed by: Mountain States Pipe and Supply
Colorado Springs, Colorado 80903
1-800-777-7173



Mueller No Blo Gas Meter Valve Changer Tool

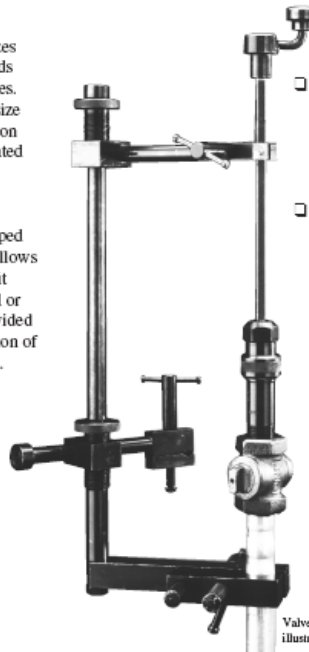
▶▶ H17010

- For changing out $\frac{3}{4}$ " to 1-1/4" Meter Valves installed on Schedule 40 steel pipe

▶▶ H17012

- For changing out 1-1/2" – 2" Meter Valves installed on Schedule 40 steel pipe

- ❑ PLUGGING UNIT – available in sizes and styles to match all Mueller brands and most other brands of meter valves. Each unit is designed for a specific size and style of valve. The rubber plug on the end of the unit can provide repeated stop-offs if properly maintained.
- ❑ SAFETY CLAMP – should be clamped securely to the end of the riser and allows complete control of the plugging unit at all times during the valve removal or thread refurbishing operations. Provided to guard against the accidental ejection of the plugging unit under gas pressure.



- ❑ WOODEN STORAGE CHEST (not shown) – sturdy, convenient storage for the safety clamp and several different sizes of plugging units.
- ❑ OPERATING INSTRUCTIONS – Easy to follow, step by step instructions for using the Mueller NO-BLO Valve Changer to change meter valves and refurbish the threads on the riser outlet end without gas escaping.

Valves and Risers shown for illustration purposes only.



a record of leadership & innovation...
Mueller Co. is the largest full-line supplier of flow control products used in distribution systems for municipal potable water and natural gas, and is ISO certified.

MUELLER® NO-BLO® GAS METER VALVE CHANGER



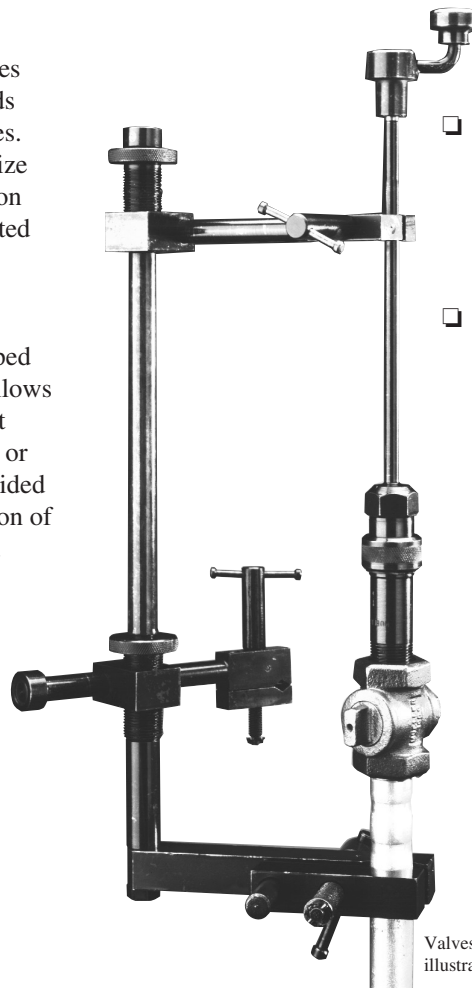
REV. 12-06

Normally, the gas meter valve provides the primary shut-off point on the gas service line. If this valve needs to be replaced for any reason, there is often no other convenient shut-off point upstream of the valve. The Mueller NO-BLO Valve Changer provides a safe, effective and easy to use means for stopping gas flow upstream of the meter valve allowing the valve to be replaced. It also allows the MIP threads on the riser to be refurbished, if necessary.

The Mueller valve changer – a Mueller NO-BLO System exclusive – which includes plugging units and safety clamps, can be used on most straightway and round way meter valves in sizes ranging from 1/2" through 2" if the valve has an FIP outlet and the port through the valve will permit the passage of the valve changer's plugging unit.

Mueller® NO-BLO® Gas Meter Valve Changer

- ❑ **PLUGGING UNIT** – available in sizes and styles to match all Mueller brands and most other brands of meter valves. Each unit is designed for a specific size and style of valve. The rubber plug on the end of the unit can provide repeated stop-offs if properly maintained.
- ❑ **SAFETY CLAMP** – should be clamped securely to the end of the riser and allows complete control of the plugging unit at all times during the valve removal or thread refurbishing operations. Provided to guard against the accidental ejection of the plugging unit under gas pressure.

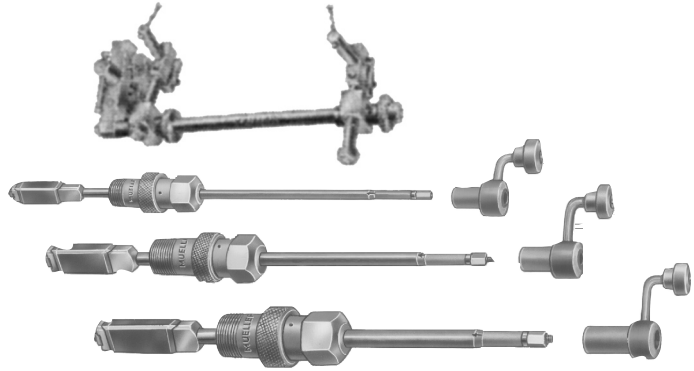


- ❑ **WOODEN STORAGE CHEST** (not shown) – sturdy, convenient storage for the safety clamp and several different sizes of plugging units.
- ❑ **OPERATING INSTRUCTIONS** – Easy to follow, step by step instructions for using the Mueller NO-BLO Valve Changer to change meter valves and refurbish the threads on the riser outlet end without gas escaping.

Valves and Risers shown for illustration purposes only.



- ❑ Catalog number – **H-17010**
- ❑ For changing out 3/4" to 1-1/4" Meter Valves installed on schedule 40 steel pipe
- ❑ Includes three Plugging Units, Safety Clamp, Wooden Storage Chest (680350) and Operating Instructions (Form 8540)
- ❑ Fits most roundway and straightway valves
- ❑ O-ring sealed body and stem
- ❑ Maximum working pressure 60 psig** (414 kPa)

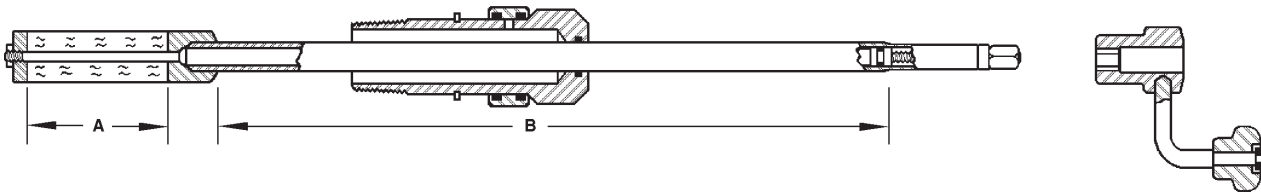


H-17010

Dimensions

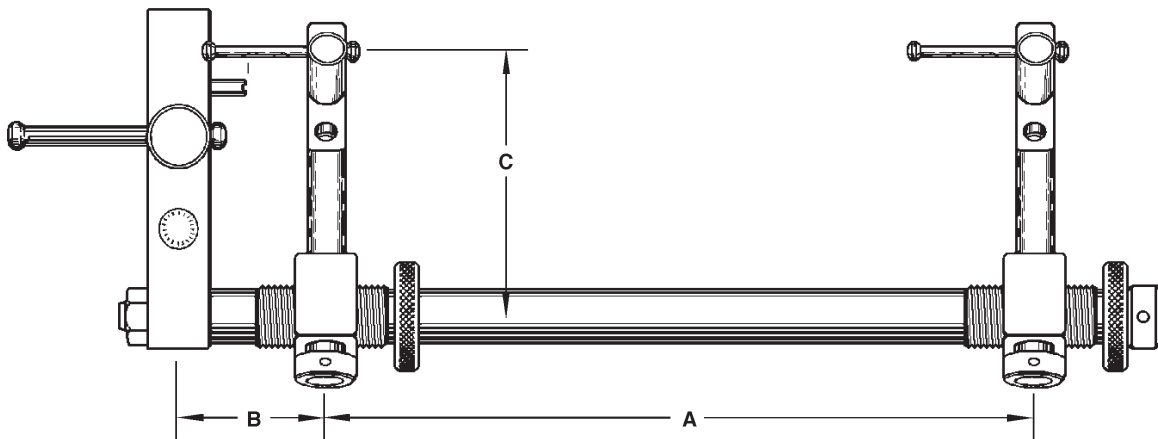
The H-17010 plugging units can be used on valves (roundway or straightway) that have minimum port dimensions charted to the right, and if the outlet of the valve has F.I.P. threads.

Valve Size*	Minimum Port Width	Minimum Port Height
3/4"	13/32"	23/32"
1"	17/32"	31/32"
1-1/4"	11/16"	1-9/32"



Size* of Plugging Unit	3/4"	1"	1-1/4"
Plugging unit part number	83962	83963	83964
A length of rubber plug	2"	2-5/8"	3-3/8"
B length from ferrule shoulder to taper	12-9/16"	12-9/16"	12-9/16"

Safety Clamp



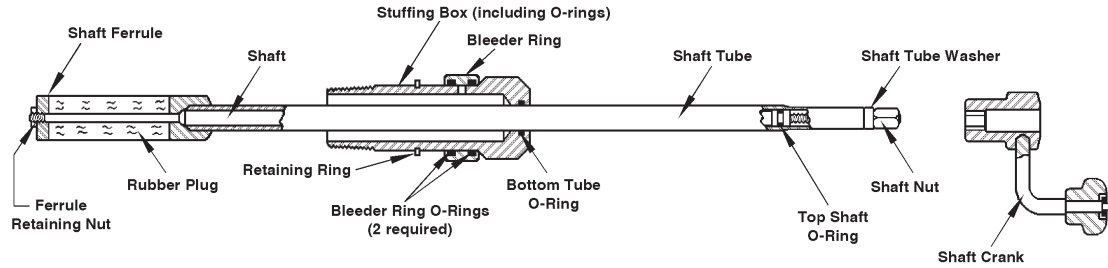
Safety Clamp Part Number	A	B	C
83975	12-9/16"	4-3/8"	6-1/2"

*Nominal
** This is the maximum working pressure of this equipment. During the use of this equipment, the line pressure must not exceed the amount indicated.

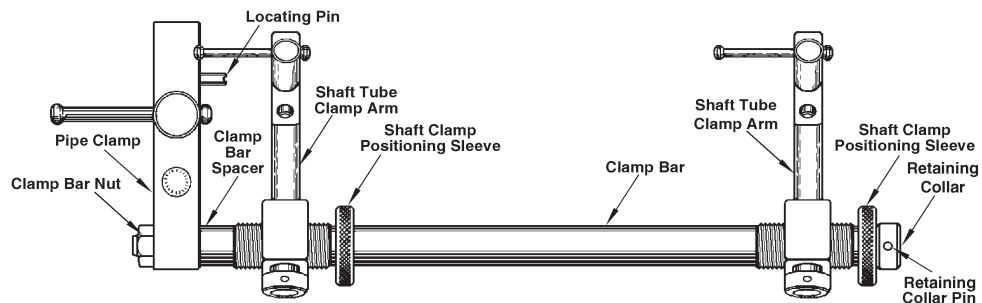
H-17010 VALVE CHANGER REPLACEMENT PARTS



REV. 12-06



Part Name	Plugging Unit Size*		
	3/4"	1"	1-1/4"
Plugging Unit Complete	83962	83963	83964
Stuffing Box Assembly	83281	83282	83283
Bottom Tube O-ring		79514	72239
Retaining Ring		53777	50990
Bleeder Ring		50936	50947
Bleeder O-ring (2)		40709	79351
Shaft Crank Assembly	83276	83277	83278
Shaft Nut	51134	51249	51101
Shaft Tube Washer	51159	51059	51110
Top Shaft O-ring	53856	43973	79514
Shaft Tube Assembly	83966	83968	580392
Shaft Assembly	83965	83967	580391
Rubber Plug	51243	51100	51113
Shaft Ferrule	51189	51288	51106
Shaft Ferrule Retaining Nut	52969	53832	53863



Part Name	Part Number
Safety Clamp Complete	83975
Retaining Collar	51112
Retaining Collar Pin	79311
Shaft Clamp Positioning Sleeve (2)	51155
Shaft Tube Clamp Arm Assembly (2)	83976
Clamp Bar	501278
Pipe Clamp Assembly	83977
Clamp Bar Spacer	501280
Clamp Bar Nut	33396

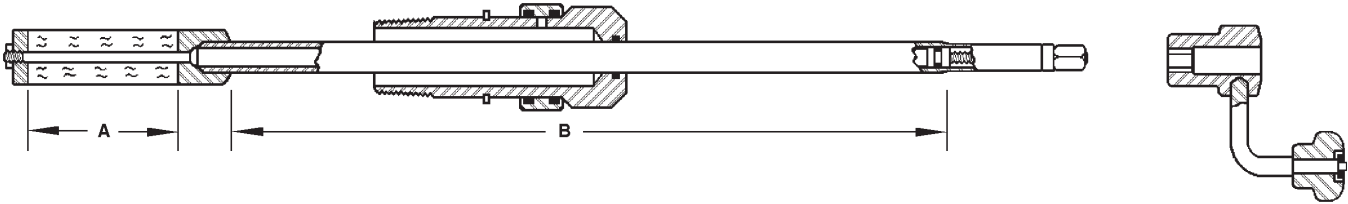
*Nominal

- ❑ Used for changing out 3/4", 1 or 1-1/4" Meter Valves installed on schedule 40 steel pipe when additional travel is required.
- ❑ Extended length Safety Clamp also available and preferred when using these longer Plugging Units.
- ❑ Fits most roundway and straightway valves
- ❑ O-ring sealed body and stem
- ❑ Maximum working pressure 60 psig** (414 kPa)

Dimensions

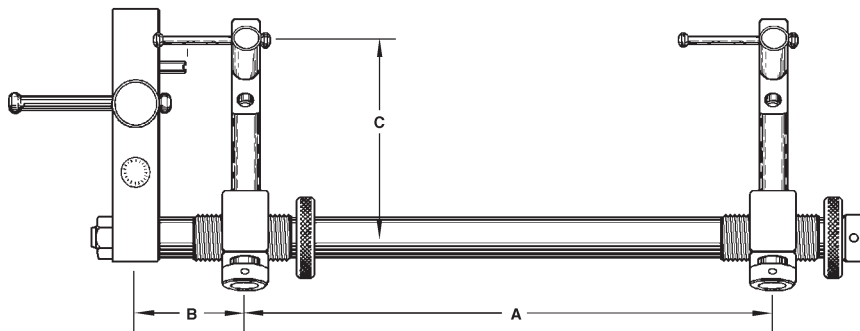
These plugging units can be used on valves (roundway or straightway) that have minimum port dimensions charted to the right, and if the outlet of the valve has F.I.P. threads.

Valve Size*	Minimum Port Width	Minimum Port Height
3/4"	13/32"	23/32"
1"	17/32"	31/32"
1-1/4"	11/16"	1-9/32"



Size* of Pluggin Unit	3/4"	3/4"	1"	1"	1"	1-1/4"	1-1/4"
Plugging Unit Part Number	580617	681427	580618	83866	580788	580621	681430
Length of Rubber Plug	2"	2"	2-5/8"	2-5/8"	2-5/8"	3-3/8"	3-3/8"
Length from ferrule shoulder to taper	18-13/32"	31-9/16"	18-13/32"	27-5/8"	30-27/32"	18-13/32"	29-29/32"

Safety Clamp (extended length)



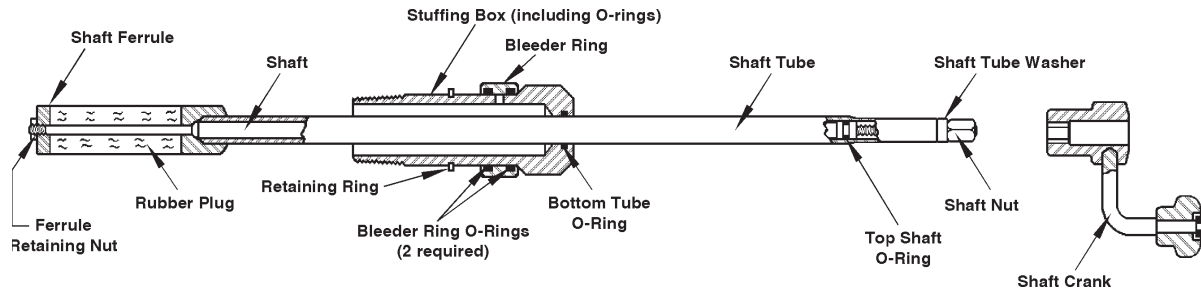
Safety Clamp Part Number	A	B	C
580751	17-9/16"	4-3/8"	6-1/2"

*Nominal
* This is the maximum working pressure of this equipment. During the use of this equipment, the line pressure must not exceed the amount indicated.

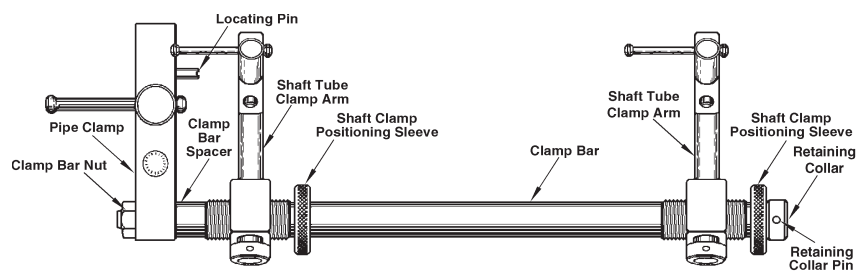
EXTENDED LENGTH PLUGGING UNIT REPLACEMENT PARTS



REV. 12-06



Part Name	Plugging Unit Size* (extended length)							
	3/4"	3/4"	1"	1"	1"	1-1/4"	1-1/4"	
Plugging Unit Complete	580617	681427	580618	83866	580788	580621	681430	
Stuffing Box Assembly	681183	681181	83282	83282	83282	83283	83283	
Bottom Tube O-ring	79514	79514	72239	72239	72239	79344	79344	
Retaining Ring	53777	53777	50990	50990	50990	51014	51014	
Bleeder Ring	50936	50936	50947	50947	50947	51003	51003	
Bleeder O-ring (2)	40709	40709	79351	79351	79351	79479	79479	
Shaft Crank Assembly	83276	83276	83277	83277	83277	83278	83278	
Shaft Nut	51134	51134	51249	51249	502609	51101	51101	
Shaft Tube Washer	51159	51159	51059	51059	502607	51110	51110	
Top Shaft O-ring	53856	53856	43973	43973	43973	79514	79514	
Shaft Tube Assembly	580615	681428	580620	83868	580789	580622	580792	
Shaft Assembly	580616	681429	580619	83870	580790	580623	580793	
Rubber Plug	51243	51243	51100	51100	501139	51113	51113	
Shaft Ferrule	51189	51189	52188	51288	501136	51106	51106	
Shaft Ferrule Retaining Nut	52969	52969	53832	53832	53832	53863	53863	



Part Name	Part Number
Safety Clamp Complete (extended length)	580751
Retaining Collar	51112
Retaining Collar Pin	79311
Shaft Clamp Positioning Sleeve (2)	51155
Shaft Tube Clamp Arm Assembly (2)	83976
Clamp Bar	502468
Pipe Clamp Assembly	83977
Clamp Bar Spacer	501280
Clamp Bar Nut	33396

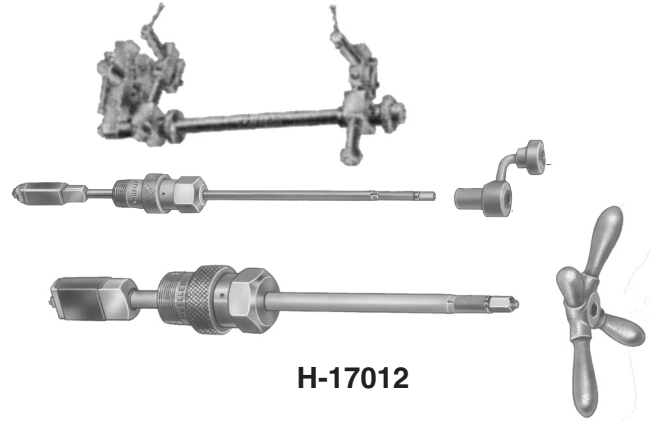
*Nominal



H-17012 MUELLER® NO-BLO VALVE CHANGER FOR 1-1/2" & 2" METER VALVES ON SCH. 40 STEEL

REV. 12-06

- ❑ Catalog number – **H-17012**
- ❑ For changing out 1-1/2" and 2" Meter Valves installed on schedule 40 steel pipe
- ❑ Includes two plugging units, safety clamp, wooden storage chest (680288) and operating instructions (Form 8540)
- ❑ Fits most roundway and straightway valves
- ❑ O-ring sealed body and stem
- ❑ Maximum working pressure 60 psig** (414 kPa)

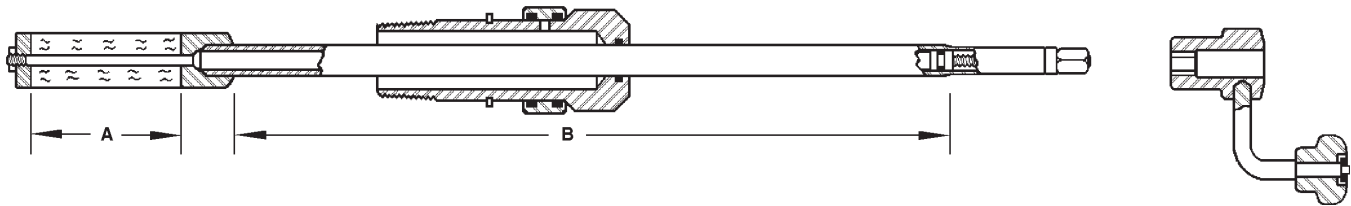


H-17012

Dimensions

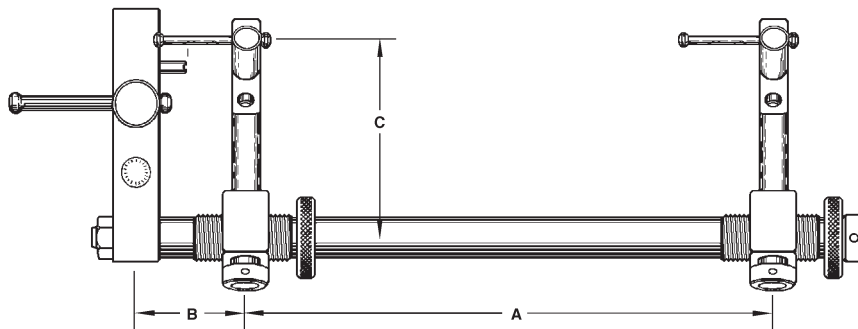
The H-17012 plugging units can be used on valves (roundway or straightway) that have minimum port dimensions charted to the right, and if the outlet of the valve has F. I. P. threads.

Valve Size*	Minimum Port Width	Minimum Port Height
1-1/2"	25/32"	1-19/32"
2"	1-5/32"	2"



Size* of Plugging Unit	1-1/2"	2"
Plugging Unit Part Number	83805	83928
A Length of Rubber Plug	4-1/8"	3-1/8"
B Length from Ferrule Shoulder to Taper	17-7/16"	17-7/16"

Safety Clamp

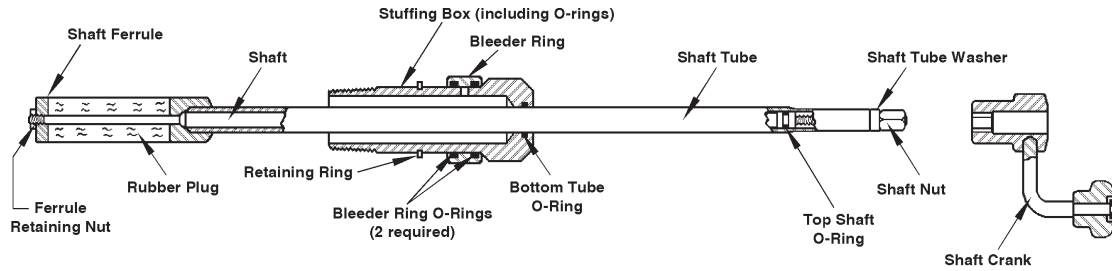


Safety Clamp Part Number	A	B	C
83792	17-7/16"	2-15/16"	6-5/16"

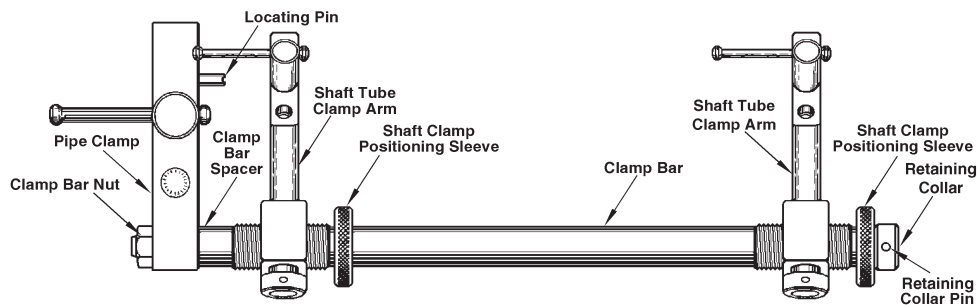
*Nominal

** This is the maximum working pressure of this equipment. During the use of this equipment, the line pressure must not exceed the amount indicated.

H-17012 VALVE CHANGER REPLACEMENT PARTS



Part Name	Plugging Unit Size*		
	1-1/2"	2"	
Plugging Unit Complete	83805	83928	
Stuffing Box Assembly	83807	83943	
Bottom Tube O-ring		79344	503726
Retaining Ring		500567	501204
Bleeder Ring		500568	501177
Bleeder O-ring (2)		78828	501205
Shaft Crank Assembly	83806		501181
Shaft Nut	51101		501180
Shaft Tube Washer	51110		501182
Top Shaft O-ring	79514		78818
Shaft Tube Assembly	83803		83942
Shaft Assembly	83808		83941
Rubber Plug	500561		501183
Shaft Ferrule	500560		501179
Shaft Ferrule Retaining Nut	53863		53935



Part Name	Part Number
Safety Clamp Complete	83792
Retaining Collar	500582
Retaining Collar Pin	500580
Shaft Clamp Positioning Sleeve (2)	500576
Shaft Tube Clamp Arm Assembly (2)	83793
Clamp Bar	500585
Pipe Clamp Assembly	83798
Clamp Bar Spacer	500575
Clamp Bar Nut	33571