

AMERICAN METER

Diaphragm Gas Meter

BK-G4



Features:

- Compact design
- Low noise level
- Tamper resistant
- High accuracy and long term reliability
- Synthetic, stadium shaped diaphragm
- Mounting device to strap the meter to the facility
- Anti-return valve which impedes gas theft

Specifications:

- Nominal cyclical volume of 0.04 ft³
- Pulse output - 1 ft³/pulse
- Working Temperature: -4⁰ F to 140⁰ F
- Flows from 1.4 ft³/h to 200 ft³/h
- Maximum operating pressure 5 psig

The increase in the cost of energy and of the other utilities requires more precise and reliable measurements, with instruments of modern and compact design.

Description:

The BK-G4 is a synthetic diaphragm meter with the latest technology and injection-molded aluminum body.

BK-G4 meter is designed for a maximum flow of 200 cfh at 0.25 psig of flow and an operating pressure of 5 psig.

It is available with various threads and distances between connection centers.

Operation:

Four symmetric measuring chambers, two on each side, are divided by a synthetic diaphragm. The chambers are filled and

emptied as gas flows through the chambers. The alternate movement of the diaphragm is made to obtain the rotation of an eccentric axis, which control the movement of the distribution valves, for the filling and emptying of the measuring chambers.

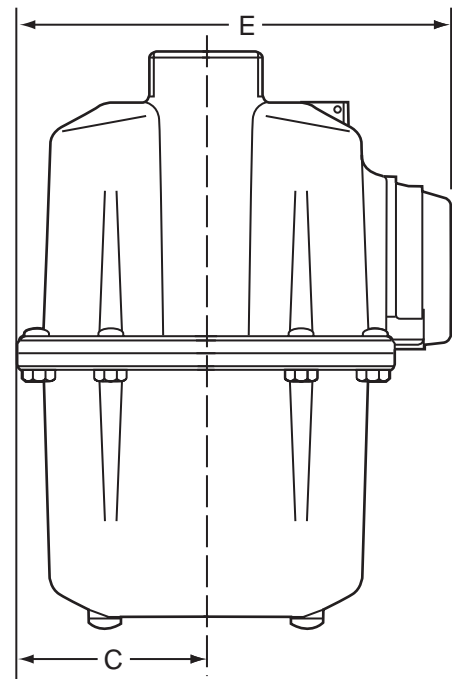
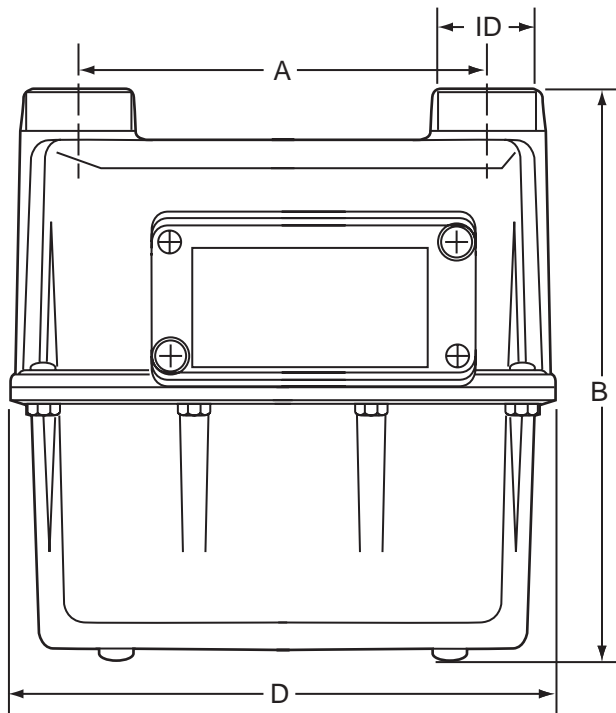
The movement of the eccentric axis is transmitted through a gear train to the index of the device where it indicates the volume of gas which has passed through the unit at operating conditions.

Handling:

Although the construction of the meter is very robust, it must be taken into account that it is a measuring instrument and thus, must be handled with care according to the packaging instructions.

Size Table								
Housing material	A inches	B inches	C inches	D inches	E inches	Weight pounds	ID inches	Thread
Aluminum	5.98	8.42	2.71	7.87	6.37	4.62	1.02	G 1-1/4" A ISO 228/1/2
	5.98	8.42	2.71	7.87	6.37	4.62	1.02	G 1" A ISO 228/1/2
	5.98	8.42	2.71	7.87	6.37	4.62	1.02	SPRAGHE#1 *
	5.98	8.42	2.71	7.87	6.37	4.62	1.02	M 26 x 1.5
	5.98	8.42	2.71	7.87	6.37	4.62	1.02	G 1" A ISO 228/1/2

* Stocked. Contact your American Meter representative for additional connection options.



Ordering Information

To ensure the correct meter and complementary instrument selection are made, the following information is required:

- Type of gas to be metered
- Maximum flow rate (SCFH, SCMh or BTU/hr. at operating pressure)
- English or Metric registration
- Maximum working pressure



AMERICAN METER
 300 Welsh Road,
 Building One
 Horsham, PA 19044-2234
 Ph.: 215-830-1800
 Fax: 215-830-1890
 www.americanmeter.com



CANADIAN METER
 275 Industrial Road
 Cambridge, Ontario
 Canada N3H 4R7
 Phone: 519-650-1900
 Fax: 519-650-1917
 www.canadianmeter.com

Represented by: