

# GT to GTS Meter Conversion

## Installation Instructions

# GTS® Cartridge Conversion Process

## 4", 6", and 8" Turbine Meters

### HOW TO REPLACE THE GT CARTRIDGE IN A METER SHOP

1. Remove the existing GT cartridge, O-ring and top plate bolts and set aside.
2. In the 4-inch size only, the next step is to replace the nose cone of the inlet Flo-Guide.
  - Remove the inlet flow guide by removing the large retaining ring at the meter inlet.
  - Disassemble the existing (black) nose cone held in place with a single screw and attach the (white) nose cone with the screw supplied.
  - Then reassemble the Flo-Guide using the existing retaining ring.
3. Remove the existing seal tape from the meter housing. Use a detergent to remove any oil, debris, etc. from the meter housing. Install the new seal tape, with the adhesive supplied, in the position shown in the diagram at right. This new seal tape goes on the *downstream* side of the drain plug at the bottom of the meter housing. The adhesive takes about 24 hours to dry.
4. Before installing the GTS cartridge, apply a light coating of grease to the seal tape.
5. Grease the new cartridge O-ring and place it in the cartridge top plate groove.
6. Install the GTS cartridge *with the rotor facing upstream*. Install the hex head cartridge bolts and tighten to the torque levels listed in chart at right.

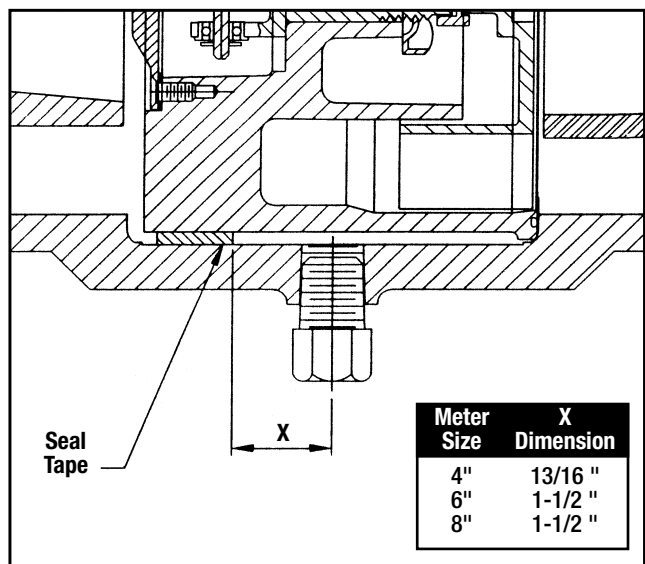
*The meter does not have to be rebadged. The cartridge comes with the serial number identification.*

**IMPORTANT:** To mount a Mercury Instrument or Equimeter corrector on the new cartridge, install the optional adapter plate over the cartridge gear train housing.

### PARTS INCLUDED WITH KIT

- |                              |                            |
|------------------------------|----------------------------|
| (1) Cartridge                | (8) Hex head bolts         |
| (1) Nose cone – 4" only      | (1) Package of O-ring lube |
| (1) Pan head screw – 4" only | (1) Instructions           |
| (1) O-ring and grease        |                            |

### SEAL TAPE APPLICATION



### CARTRIDGE BOLTS – TORQUE LEVELS

Pressure (psi)	4" Torque (lbs-ft)	6" Torque (lbs-ft)	8" Torque (lbs-ft)
175	25	35	70
300	31	50	100
720	68	205	340
1440	90	300	500



300 Welsh Road  
Building One  
Horsham, PA 19044-2234 U.S.A.  
Phone: 215/830-1800  
Fax: 215/830-1890  
Website: americanmeter.com



275 Industrial Road  
Cambridge, Ontario, N3H 4R7 Canada  
Phone: 877/461-2626 (toll free)  
Phone: 519/650-1900  
Fax: 519/650-1917  
Website: canadianmeter.com

## About Elster Group

Elster Group is the world's leading manufacturer and supplier of highly accurate, high quality, integrated metering and utilization solutions to the gas, electricity and water industries. In addition, through its subsidiary Ipsen International, it is the leading global manufacturer of high level thermo-chemical treatment equipment.

The group has over 8,500 staff, operations in 38 countries and serves over 115 markets around the world. Elster's high quality products and systems reflect the wealth of knowledge and experience gained from over 170 years of dedication to measuring precious resources and energy.

Elster American Meter  
2221 Industrial Road  
Nebraska City, NE 68410  
USA

T +1 402 873 8200  
F +1 402 873 7616

[www.elster-americanmeter.com](http://www.elster-americanmeter.com)

© 2008 Elster American Meter. All rights reserved

Information contained herein is subject to change without notice. Product specifications may change. Contact your Elster American Meter representative for the most current product information. Printed in the United States.

EAM-II4725.2-EN-P - January 2008  
Supersedes IM 4725.1