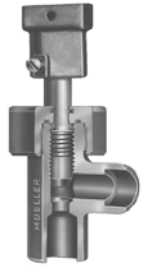




Mueller Gas Products

Distributed by: Mountain States Pipe and Supply
Colorado Springs, Colorado 80903
1-800-777-7173



Mueller H17800 Curb Stop Tee

- ▶▶ No Blo® Curb Stop Tee
- ▶▶ Weld x Weld
- ▶▶ 1440 PSI

❑ LARGE – operating head is cast from ductile iron for strength and has a 5/16" drilled hole for attaching a stationary rod.

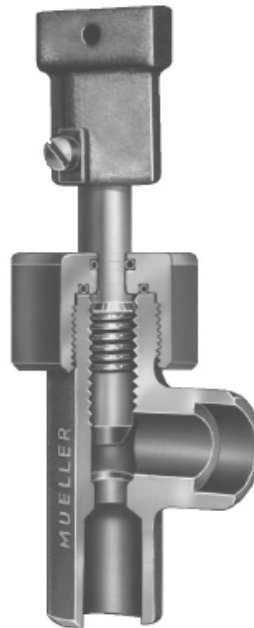
❑ MAXIMUM WORKING PRESSURE – 1440 psig.

❑ STAINLESS STEEL STEM – provides corrosion protection.

❑ O-RINGS – are used to seal stem and completion cap.

❑ INLET – prepared for weld or MIP.

❑ OUTLET – are available in weld and compression connection ready.



a record of leadership & innovation ...

Mueller Co. is the largest full-line supplier of flow control products used in distribution systems for municipal potable water and natural gas, and is ISO certified.

MUELLER® NO-BLO® FORGED STEEL CURB STOP TEE FEATURES



REV. 12-06

Mueller Curb Stop Tees are used to make main to service connections and also offer a means to control service line flow at the main. Mueller Curb Stop Tees can be used with curb boxes to provide a means to access the buried tee from above ground and also have a large operating head that is

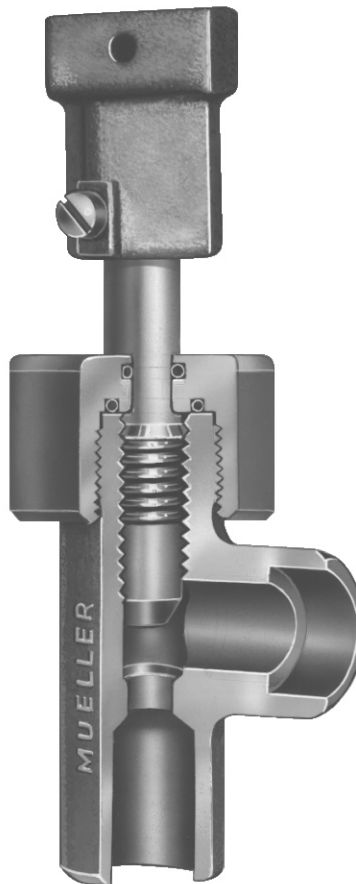
drilled to accept the attachment of a shut-off rod. These curb stop tees have accurately machined forged steel bodies and completion caps, one piece stainless steel stem, ductile iron operating nut, and O-ring sealed stem and completion cap.

Mueller NO-BLO Curb Stop Tee features

- ❑ LARGE – operating head is cast from ductile iron for strength and has a 5/16" drilled hole for attaching a stationary rod.

- ❑ STAINLESS STEEL STEM – provides corrosion protection.

- ❑ INLET – prepared for weld or MIP.



- ❑ MAXIMUM WORKING PRESSURE – 1440 psig.

- ❑ O-RINGS – are used to seal stem and completion cap.

- ❑ OUTLET – are available in weld and compression connection ready.



- Catalog number – **H-17800**
- Sizes* – 1" x 1", 1-1/4" x 1-1/4", 2" x 2"
- Forged Steel Body ASTM A105
- Steel Completion Cap AISI 12L14
- Stainless Steel Stem
- Weld inlet
- Outlet prepared for butt weld same size as outlet and socket weld one size smaller than outlet
- 1440** psig (9930 kPa)



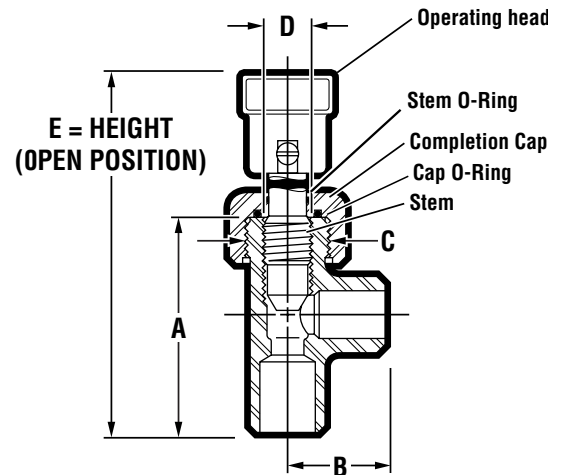
H-17800

How to select equipment

- 1) Find chart on following pages containing desired combination of fitting and installation machine (shown in bold type at top of each page and chart). Note: for a given fitting there may be more than one machine and chart.
- 2) Under inlet size of fitting to be installed, select catalog number for type of control valve to be used. Options may include one or more of the following: H-10914 Bronze Gate Valve, H-17025 Control Chamber, H-10917 Slide Gate Valve, H-10918 Steel Ball Valve.
- 3) Under selected control valve, column lists equipment necessary for each operation on chosen size of fitting. Note: **MAOP** (Maximum Allowed Operating Pressure) provided for *each* operation must not be exceeded. MAOP may be different for each operation.

Dimensions

Dimensions	Size* of Curb Stop Tee		
	1" x 1"	1-1/4" x 1-1/4"	2" x 2"
A	4-1/8"	4-5/8"	5-1/2"
B	1-7/8"	2"	2-1/8"
C	1-1/4"	1-1/2"	2"
D	1"	1-1/4"	1-3/4"
E	7-3/4"	8-1/4"	8-1/2"



Replacement Parts

Replacement Parts	Size* of Curb Stop Tee		
	1" x 1"	1-1/4" x 1-1/4"	2" x 2"
Completion Cap	525384	79348	45373
Stem	52656	503984	52657
Operating Head	79340	79346	45376
Stem O-ring	79344	79350	79351
Cap O-ring	79345	79351	45374
Completion Cap Screw	504550	504550	504550

*First size is size of inlet, second is size of outlet.

**This is the maximum pressure of the fitting installed in the line at 100F for Class Locations 1, 2, 3 and 4 as defined in D.O.T./CFR TITLE 49 PART 192. It may be necessary to reduce the line pressure during the drilling, stopping or plugging operations to the maximum working pressure of the machine or its attachments. Refer to charts on following pages.

MUELLER® NO-BLO® CURB STOP TEE H-17800



Shaded area indicates change REV. 3-08

E-5™/EH-5™ Machine

H-17800	1"	1"	1"	1-1/4"	1-1/4"	1-1/4"	2"	2"
Control Valve	H-10914 1-1/4"	H-17025	H-10918 1-1/4"	H-10914 1-1/2"	H-17025	H-10918 1-1/2"	H-10914 2"	H-10918 2"
Bushing	-	78830 1-1/4"	-		78831 1-1/2"			
Installation								
Test Cap	79160	79160	79160	79161	79161	79161	36811	36811
Drilling								
MAOP*	125 psig	125 psig	E-5=500 psig EH-5=1200 psig	125 psig	125 psig	E-5=500 psig EH-5=1200 psig	125 psig	E-5=500 psig EH-5=1200 psig
Power Operator	H-604	H-604	H-604	H-604	H-604	H-604	H-604	H-604
Machine Adapter	36733	-	36733	503435	501609	503435	89348	89348
Drill	61982 5/8"	61982 5/8"	61982 5/8"	61990 7/8"	61990 7/8"	61990 7/8"	-	-
Drill Holder	61981	61981	61981	78736	61993	78736	-	-
Shell Cutter	-	-	-	-	-	-	78909 1-1/4"	78909 1-1/4"
Shell Cutter Holder	-	-	-	-	-	-	503703	503703
Cutting Grease	88366	88366	88366	88366	88366	88366	88366	88366
Honing Stone	682560	682560	682560	682560	682560	682560	682560	682560
Inserting								
MAOP*	125 psig	125 psig	E-5=500 psig EH-5=1200 psig	125 psig	125 psig	E-5=500 psig EH-5=1200 psig	125 psig	E-5=500 psig EH-5=1200 psig
Machine Adapter	36733	-	36733	78737	501609	78737	89348	89348
Inserting Tool	83256	83256	83256	83261	83261	83261	83400	83400
Extracting								
MAOP*	125 psig	125 psig	E-5=500 psig EH-5=1200 psig	125 psig	125 psig	E-5=500 psig EH-5=1200 psig	125 psig	E-5=500 psig EH-5=1200 psig
Machine Adapter	36733	-	36733	78737	501609	78737	89348	89348
Extracting Tool	88279	88279	88279	80088	80088	80088	89192	89192
Optional Tools								
Machine Adapter	36733	-	36733	78737	501609	78737	89348	89348
Reseating Reamer	72240	72240	72240	72241	72241	72241	501754	501754
Holder for Reamer	61981	61981	61981	78736	78736	78736	33555	33555
Boring Bar Extension	-	51364	-	-	51364	-	36188	36188

*Maximum Allowable Operating Pressure



MUELLER® NO-BLO® CURB STOP TEE H-17800

REV. 3-08 Shaded area indicates change

D-5™/DH-5™ Machine

H-17800	1"	1"	1-1/4"	1-1/4"	2"	2"
Control Valve	H-10914 1-1/4"	H-10918 1-1/4"	H-10914 1-1/2"	H-10918 1-1/2"	H-10914 2"	H-10918 2"
Installation						
Center Locating Punch	H-17615	H-17615	H-17615	H-17615	H-17615	H-17615
Test Cap	79160	79160	79161	79161	36811	36811
Drilling						
MAOP*	125 psig	D-5=500 psig DH-5=1200 psig	125 psig	D-5=500 psig DH-5=1200 psig	125 psig	D-5=500 psig DH-5=1200 psig
Power Operator	H-604	H-604	H-604	H-604	H-604	H-604
Machine Adapter	36195	36195	36196	36196	36188	36188
Drill	61982 5/8"	61982 5/8"	61990 7/8"	61990 7/8"	33535 1-3/8"	33535 1-3/8"
Drill Holder	36998	36998	37032	37032	33316	33316
Cutting Grease	88366	88366	88366	88366	88366	88366
Honing Stone	682560	682560	682560	682560	682560	682560
Inserting						
MAOP*	125 psig	D-5=500 psig DH-5=1200 psig	125 psig	D-5=500 psig DH-5=1200 psig	125 psig	D-5=500 psig DH-5=1200 psig
Machine Adapter	36195	36195	36196	36196	36188	36188
Inserting Tool	83256	83256	83261	83261	83400	83400
Boring Bar Adapter	40438	40438	36324	36324	40438	40438
Extracting						
MAOP*	125 psig	D-5=500 psig DH-5=1200 psig	125 psig	D-5=500 psig DH-5=1200 psig	125 psig	D-5=500 psig DH-5=1200 psig
Machine Adapter	36195	36195	36196	36196	36188	36188
Extracting Tool	88279	88279	88286	88286	81499	81499
Tool Adapter	36198	36198	-	-	-	-
Optional Tools						
Machine Adapter	36195	36195	36196	36196	36188	36188
Reseating Reamer	72240	72240	72241	72241	501754	501754
Holder for Reamer	36998	36998	37032	37032	33555	33555

*Maximum Allowable Operating Pressure

FLOW DATA

Flow Data Through MUELLER® NO-BLO® Curb Valve Tees and Steel Valves

CURB VALVE TEES

Catalog Number	Size (in inches)	Equivalent Length Of Pipe▼ (in Feet)
H-17800	1	65
	1-1/4	65
	2 x 1-1/2	35
	2	110
	2 x 2-1/2	270
H-17810*	1	90
	1-1/4	65
	2 x 1-1/2	35
H-17812*	1	90
	1-1/4	65
	2	110
H-17820*	1	65
	1-1/4	65
	2	110
H-17824*	1 x 3/4	20
	1	90
	2	110
H-17830*	1	90
	1-1/4	65
	2	110
H-17850*	1	60
	1-1/4	30
	2	80
H-17851*	3/4 x 1	80
	1 x 1-1/4	55
H-17862*	1	60
	1-1/4	39
	2	85

STEEL VALVES

Catalog Number	Size (in inches)	Equivalent Length Of Pipe▼ (in Feet)
H-17900	1	110
	1-1/4	165
	1-1/2	155
	2	290
H-17903*	1	135
	1-1/4	220
	1-1/2	250
	2	420
H-17904*	1 x 3/4	40
	1-1/4 x 1	55
	1-1/2 x 1-1/4	85
	1-1/2	155
	2 x 1-1/2	120
H-17910*	1	135
	1-1/4	220
	1-1/2	250
	2	420
H-17913*	1	140
	1-1/4	270
	1-1/2	340
	2	545
H-17914*	1 x 3/4	40
	1-1/4 x 1	70
	1-1/2 x 1-1/4	140
	2 x 1-1/2	155
H-17920*	3/4 x 1	135
	1 x 1-1/4	220
	1-1/4 x 1-1/2	190
	1-1/2	155
	1-1/2 x 2	420
H-17923*	3/4 x 1	140
	1 x 1-1/4	270
	1-1/4 x 1-1/2	305
	1-1/2	250
	1-1/2 x 2	545
H-17924*	3/4	40
	1	70
	1-1/4	105
	1-1/4 x 1-1/2	190
	1-1/2	155
H-17950*	1	110
H-17956*	1	110
H-17974*	3/4	40
H-17979*	3/4	40

* Pressure loss through MUELLER NO-BLO curb valve tees using the maximum size drill, and steel valves is expressed by equivalent lengths of schedule 40 steel pipe, the same nominal size as the outlet end of the tees, except on tees having outlets for copper pipe, in which case the lengths of pipe listed represents copper pipe of the same size as the outlet end of the tees.

These Tees are no longer available - listed for historical reference.

The average values for the equivalent lengths of pipe were obtained from air test at 20, 30, 40, and 60 psig inlet pressures over a range of pressure drops from 2-1/2" to 30" water column.